

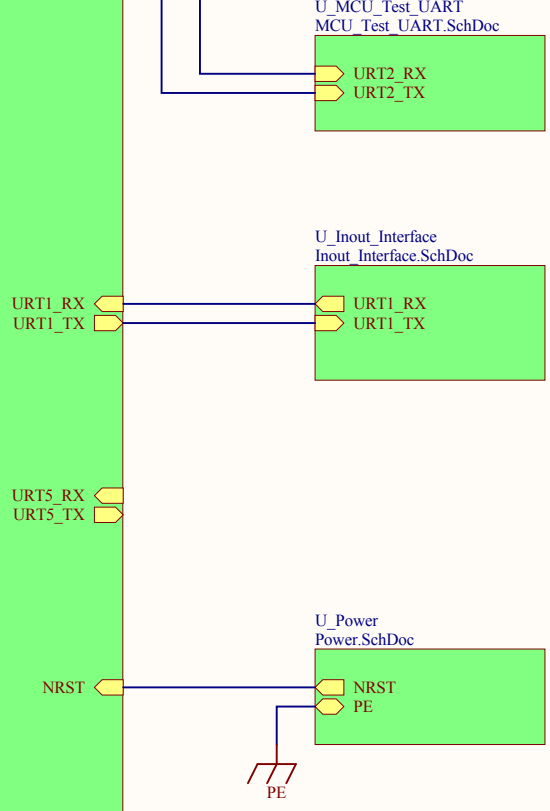
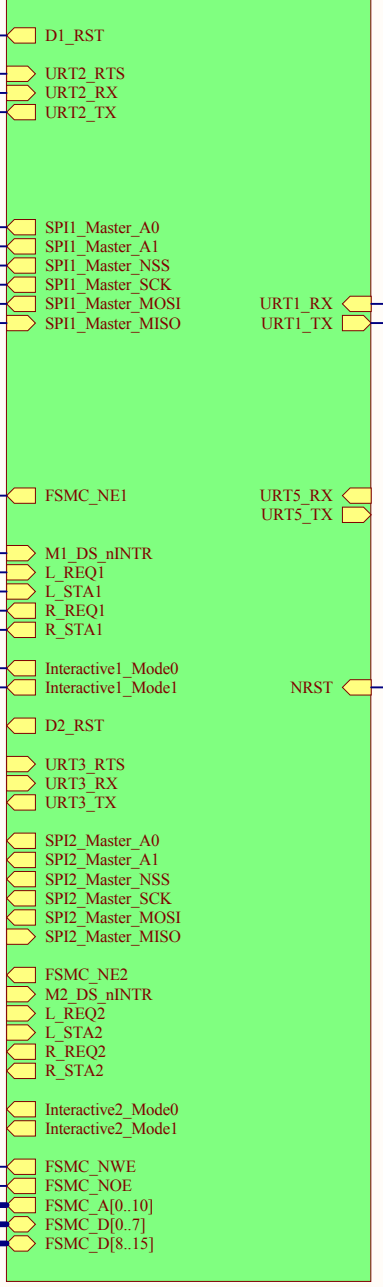
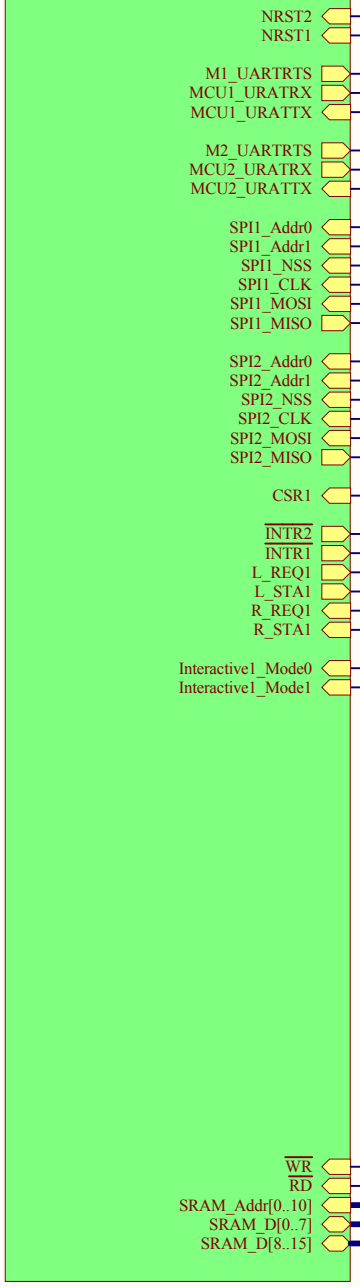
U_Interface_Board
Interface_Board.SchDoc

U_MCU_Board
MCU_Board.SchDoc

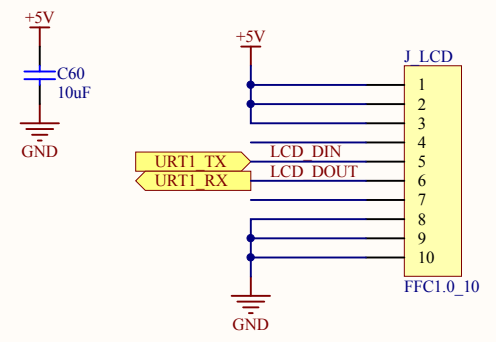
U_MCU_Test_UART
MCU_Test_UART.SchDoc

U_Inout_Interface
Inout_Interface.SchDoc

U_Power
Power.SchDoc

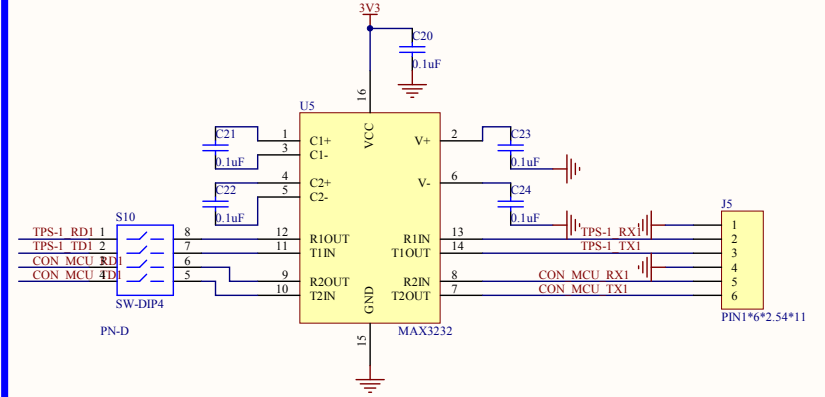
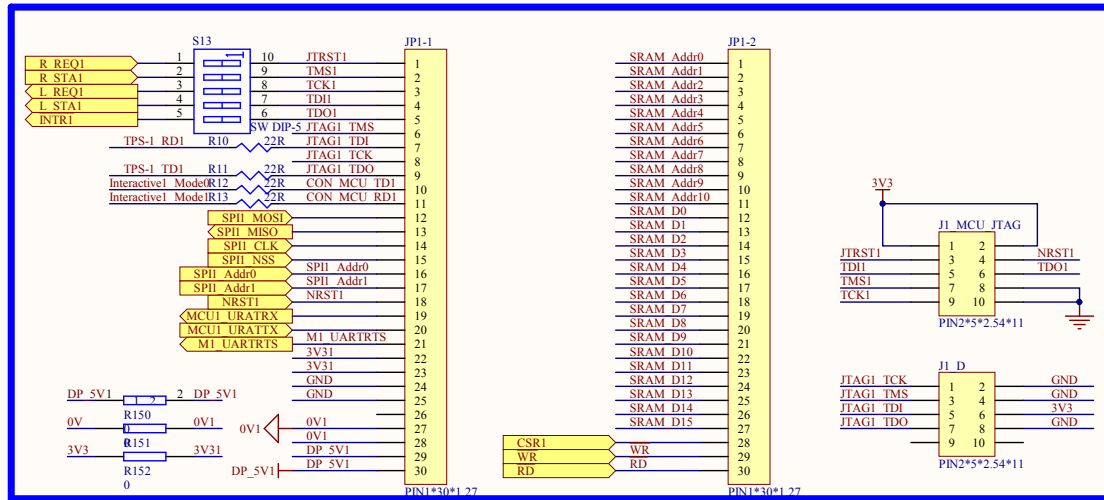


Title		
Size	Number	Revision
A4		
Date:	2016-4-25	Sheet of
File:	E:\	\\Evaluation Board.SchDoc

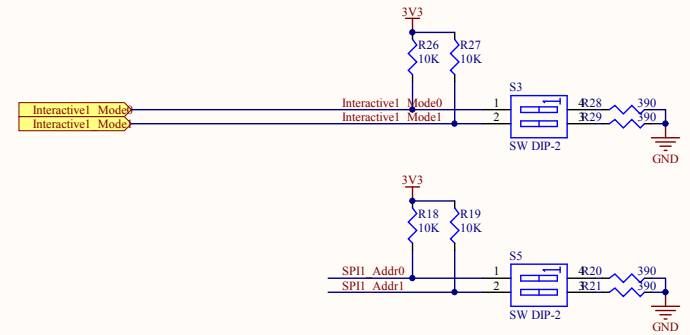
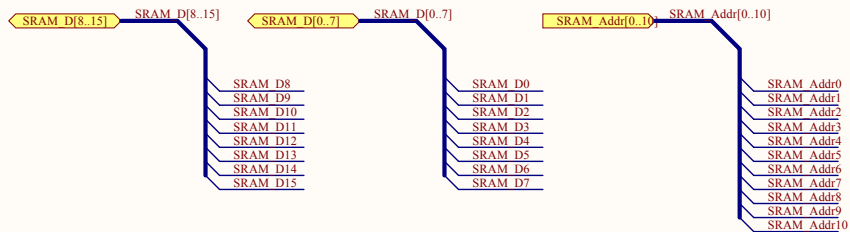
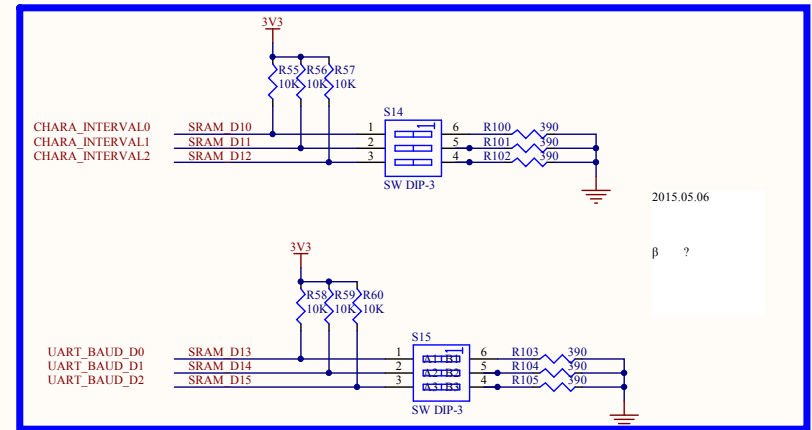
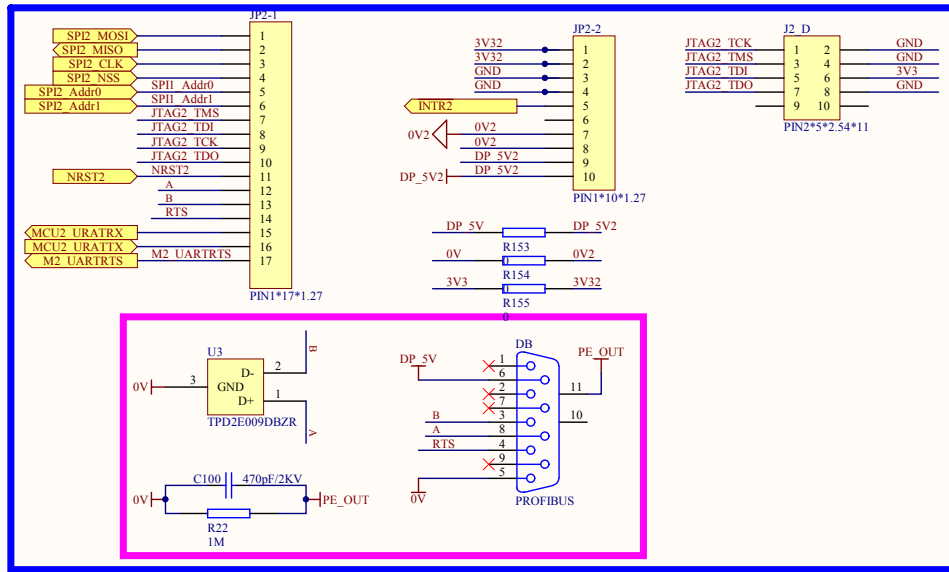


Title		
Size	Number	Revision
A4		
Date:	2016-4-25	Sheet of
File:	E:\	Drawn By:

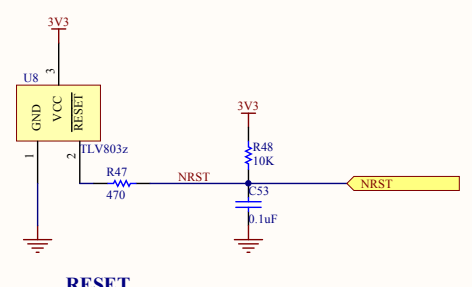
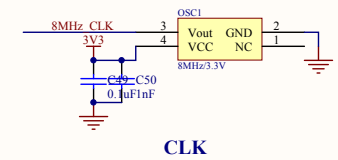
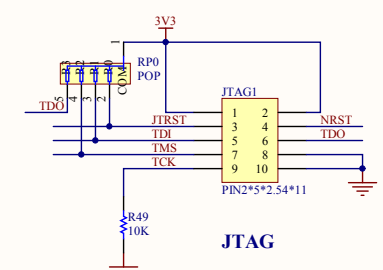
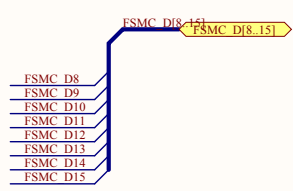
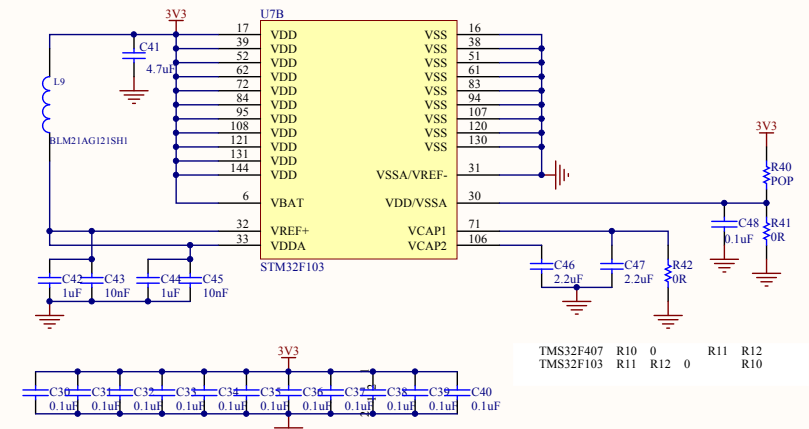
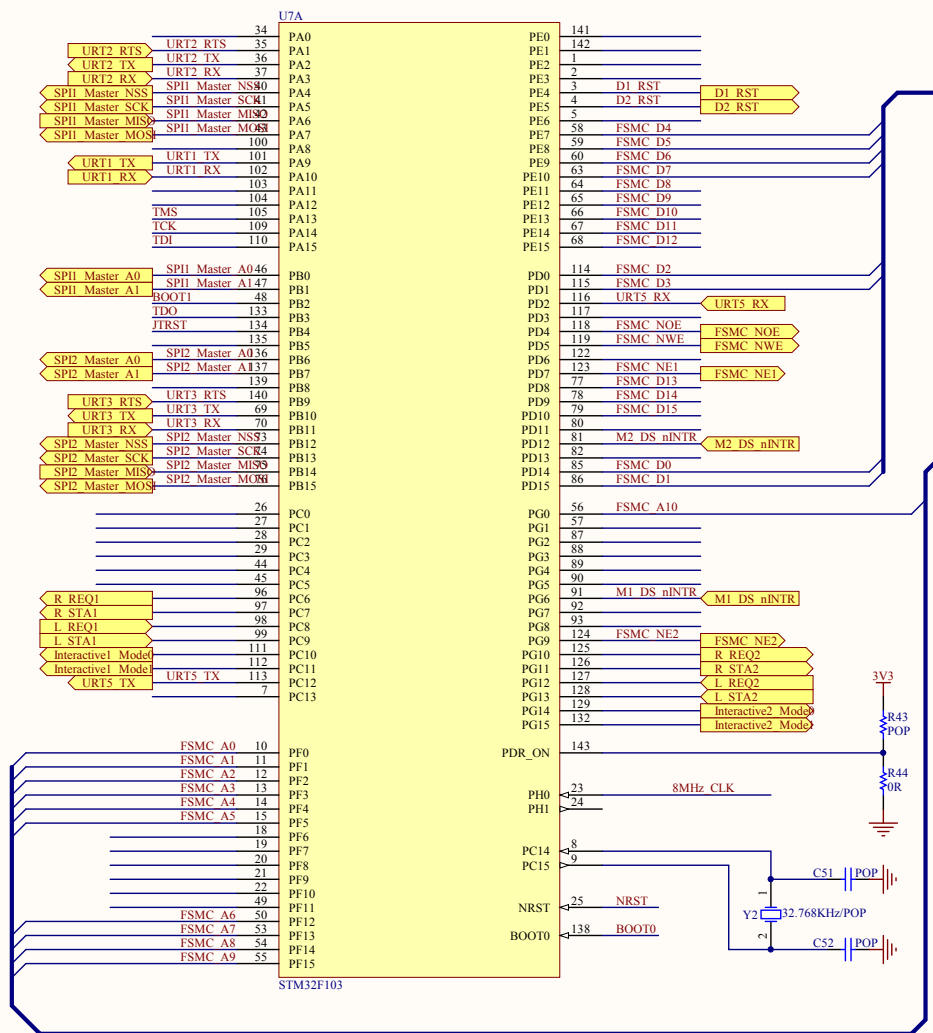
2015.07.09
M1



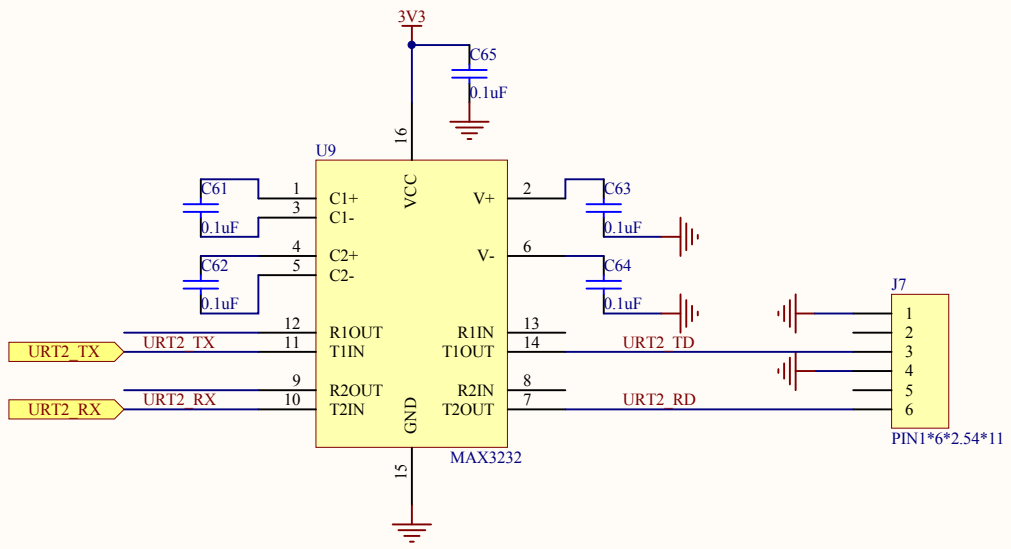
2015.07.09
M2



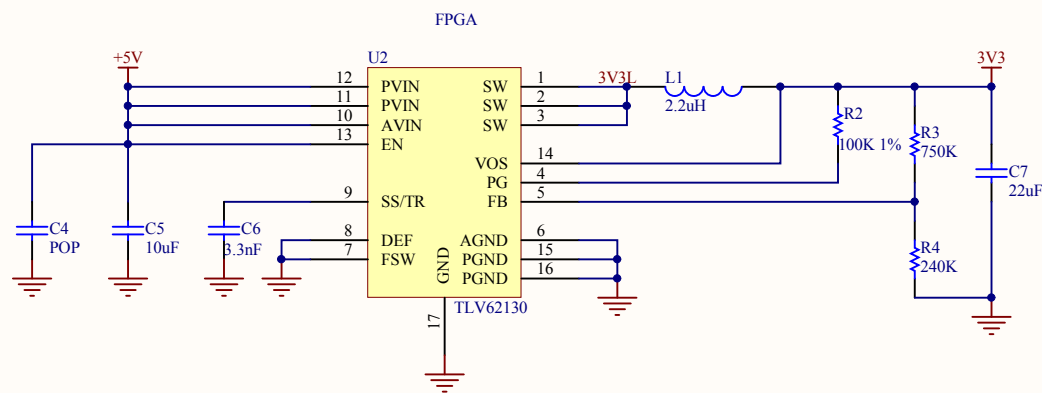
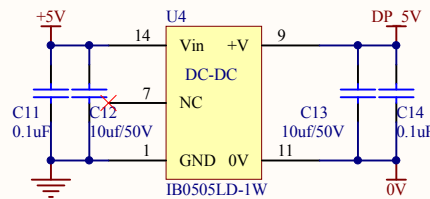
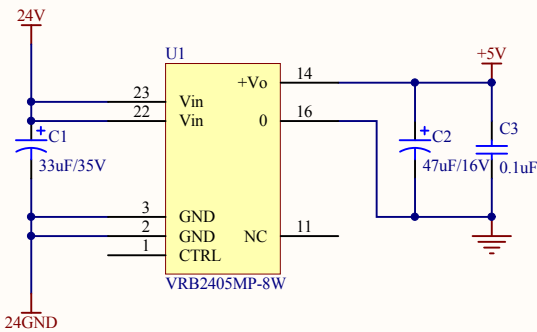
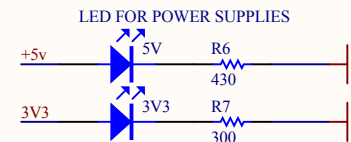
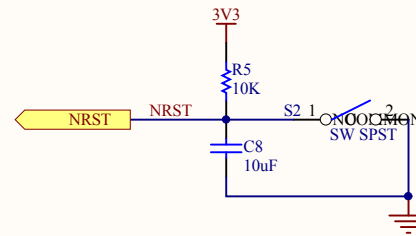
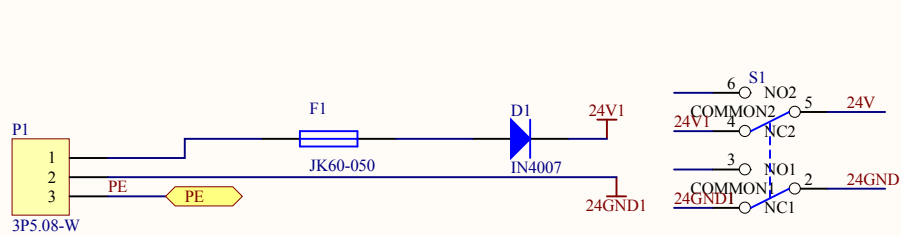
Title		
Size	Number	Revision
A3		
Date:	2016-4-25	Sheet of
File:	EA	Interface Board Set Down By:



Title		
Size	Number	Revision
A3		
Date:	2016-4-25	Sheet of
File:	EA	U.MCU Board Sch. Drawn By:



Title		
Size	Number	Revision
A4		
Date:	2016-4-25	Sheet of
File:	E:\	\\.\MCU Test UART.SchDoc



Title		
Size	Number	Revision
A4		
Date:	2016-4-25	Sheet of
File:	E:\ \.Power.SchDoc	Drawn By:

Comment	Description	Designator	Footprint	LibRef	Quantity
G		3V3, 5V	0603	LED_S	2
33uF/35V	Polarized Capacitor (Radial)	C1	7243	Cap Pol1	1
47uF/16V	Polarized Capacitor (Radial)	C2	7243	Cap Pol1	1
0.1uF	Capacitor	C3, C11, C14	0805	Cap	3
POP	Capacitor	C4	0805	Cap	1
10uF	Capacitor	C5, C8, C60	1210	Cap	3
3.3nF	Capacitor	C6	0805	Cap	1
22uF	Capacitor	C7	1210	Cap	1
10uF/50V	Capacitor	C12, C13	1210	CAP	2
0.1uF	Capacitor	C20, C21, C22, C23, C24, C30, C31, C32, C33, C34, C35, C36, C37, C38, C39, C40, C48, C49, C53, C55, C61, C62, C63, C64, C65	0603	CAP	25
4.7uF	Capacitor	C41	0805	Cap	1
1uF	Capacitor	C42, C44	0603	Cap	2
10nF	Capacitor	C43, C45	0603	Cap	2
2.2uF	Capacitor	C46, C47	0805	Cap	2
1nF	Capacitor	C50	0603	CAP	1
POP	Capacitor, Resistor	C51, C52, R40, R43	0603	Cap, Res1	4
470pF/2KV	Capacitor	C100	1206	CAP	1
IN4007	Default Diode	D1	7227	Diode	1
PROFIBUS	Receptacle Assembly, 9 Position, Right Angle	DB	DB9/F	D Connector9	1
JK60-050	Fuse	F1	YMDZ	FUSE1	1
PIN2*5*2.54*11	Header, 5-Pin, Dual row	J1_D, J1_MCU_JTAG, J2_D_JTAG1	IDC10	Header 5X2	4
PIN1*6*2.54*11	Header, 6-Pin	J5, J7	SIP0.9-6	Header 6	2
PIN1*30*1.27	Header, 30-Pin	JP1-1, JP1-2	header-30-1.27	Header 30	2
PIN1*17*1.27	Header, 18-Pin	JP2-1	HEADER-17-1.27	Header 18	1
PIN1*10*1.27	Header, 10-Pin	JP2-2	HEADER-10-1.27	Header 10	1
FFC1_0_10	Header, 10-Pin	J_LCD	FFC1.0 - duplicate	Header 10	1
2.2uH		L1	INDP4020	INDUCTOR	1
BLM21AG121SH1	VLCF5028T	L9	0805	INDUCTOR	1
8MHz/3.3V		OSC1	OC2	OSC	1
3P5,08-W	Header, 3-Pin	P1	3PN5.08	Header 3	1
100K 1%	Resistor	R2	0805	Res1	1
750K	Resistor	R3	0805	Res1	1
240K	Resistor	R4	0805	Res1	1
10K	Resistor	R5	0805	Res1	1
430	Resistor	R6	0805	Res1	1
300	Resistor	R7	0805	Res1	1
22R		R10, R11, R12, R13	0603	RES00	4
10K	Resistor	R18, R19, R26, R27, R48, R49, R55, R56, R57, R58, R59, R60	0603	RES00, Res1	12
390		R20, R21, R28, R29, R100, R101, R102, R103, R104, R105	0603	RES00	10
1M		R22	1206	RES2	1
0R	Resistor	R41, R42, R44	0603	Res1	3
1K	Resistor	R45, R46	0603	Res1	2
470	Resistor	R47	0603	Res1	1
0		R150, R151, R152, R153, R154, R155	0805	RES2	6
POP	Resistor	RP0	SIP-5	5脚排阻	1
直插拨动开关		S1	SW-POWER	SW DPDT	1
SW SPST		S2	KEY6*6	SW SPST	1
SW DIP-2	DIP Switch, 2 Position, SPST	S3, S5	DIP-4	SW DIP-2	2
SW-DIP4	DIP Switch	S10	DIP-8	SW-DIP4	1
SW DIP-5	DIP Switch, 5 Position, SPST	S13	DIP-10/D14.5	SW DIP-5	1
SW DIP-3	DIP Switch	S14, S15	DIP-6	SW DIP-3	2
VRB2405MP-8W		U1	VRB2405MP-8W	VRB2405MP-8W	1
TLV62130		U2	QFN-16N	TLV62130	1
TPD2E009DBZR		U3	SOT-23 - duplicate	TPD2EUSB30ADR TR	1
IB0505LD-1W		U4	IB_LD-1W	IB0505LD-W75	1
MAX3232		U5, U9	SO-16	MAX3232	2
STM32F103	Cortex-M4 core MCU	U7	TQFP144N	STM32F417	1
TLV803z		U8	SOT-23	TLV803z	1
32.768kHz/POP	Crystal Oscillator	Y2	XTAL1	XTAL	1